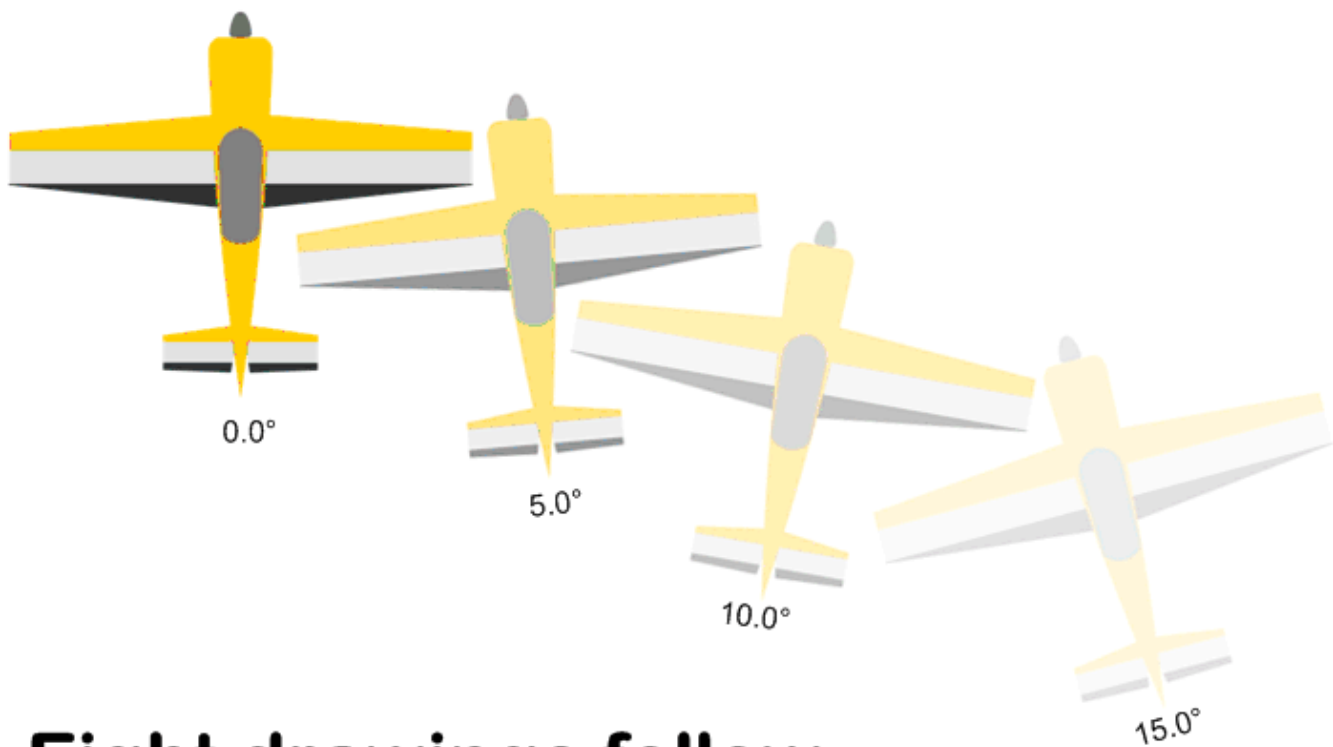
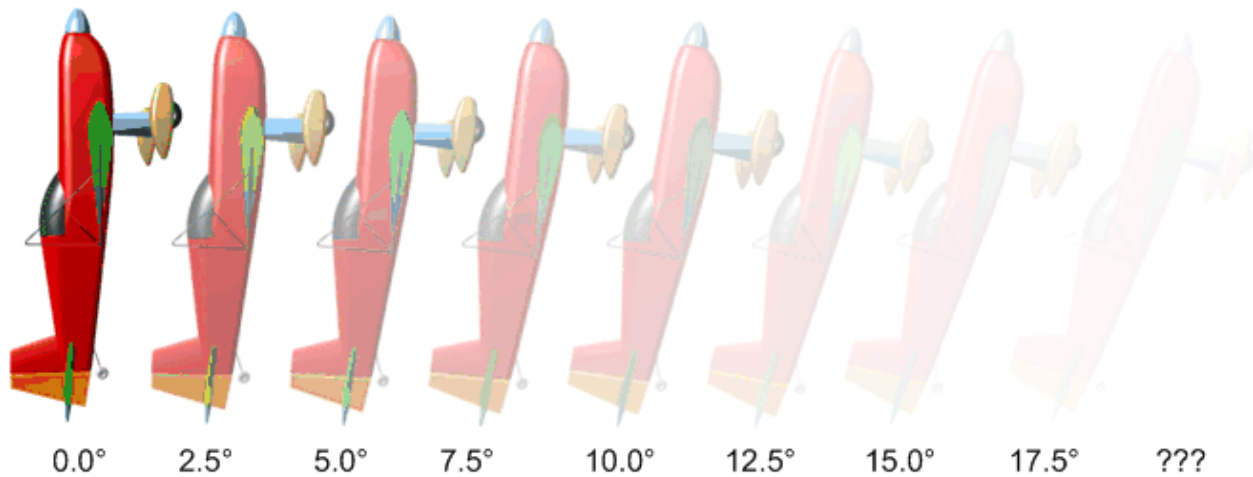


Test your Attitude accuracy



**Eight drawings follow
in quick succession.**

**In each case ... *How many marks
should you deduct?***

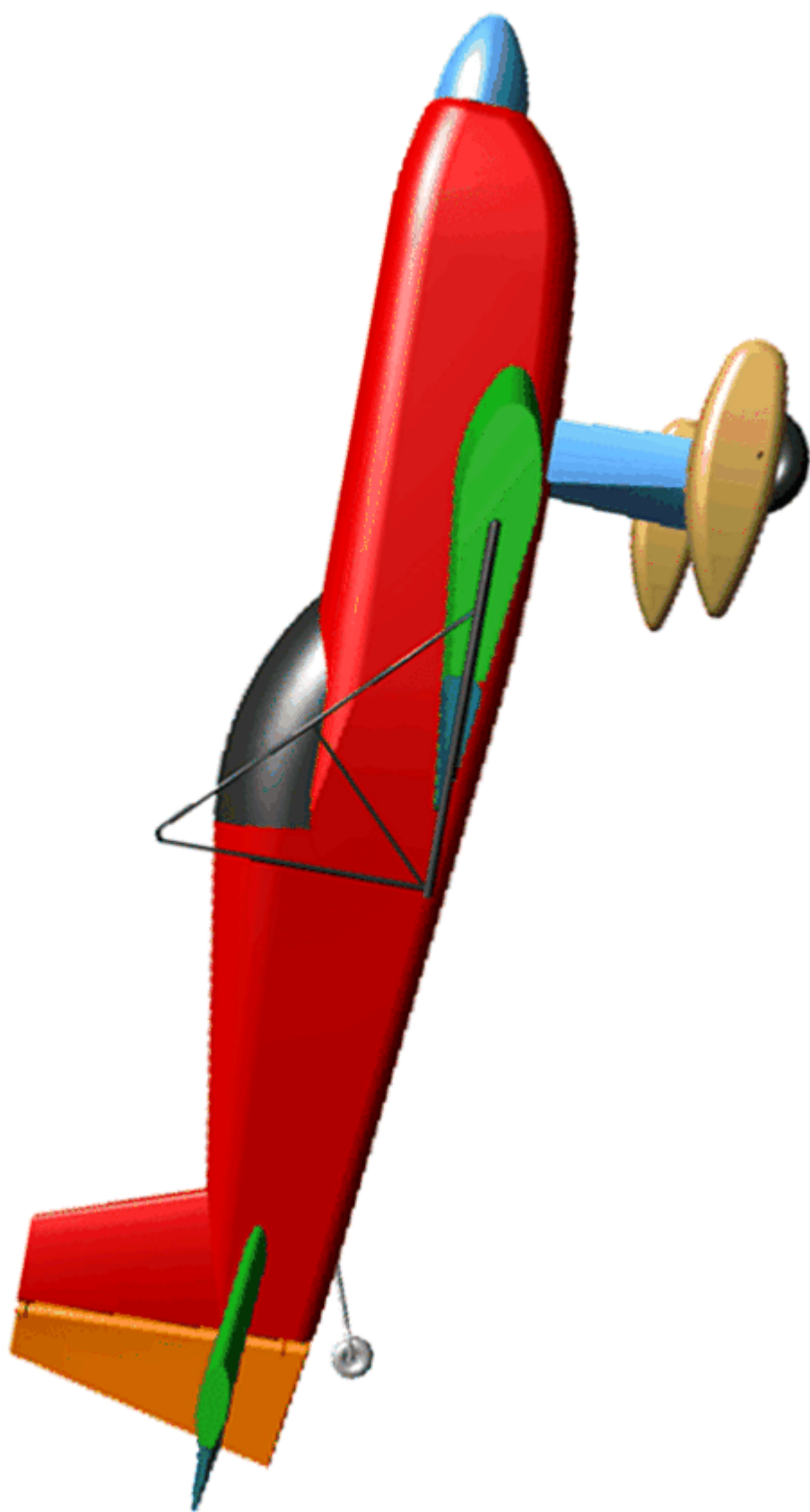
1

**The aeroplane is
expected to fly a**

Vertical up-line

***How many marks
should you deduct?***

1



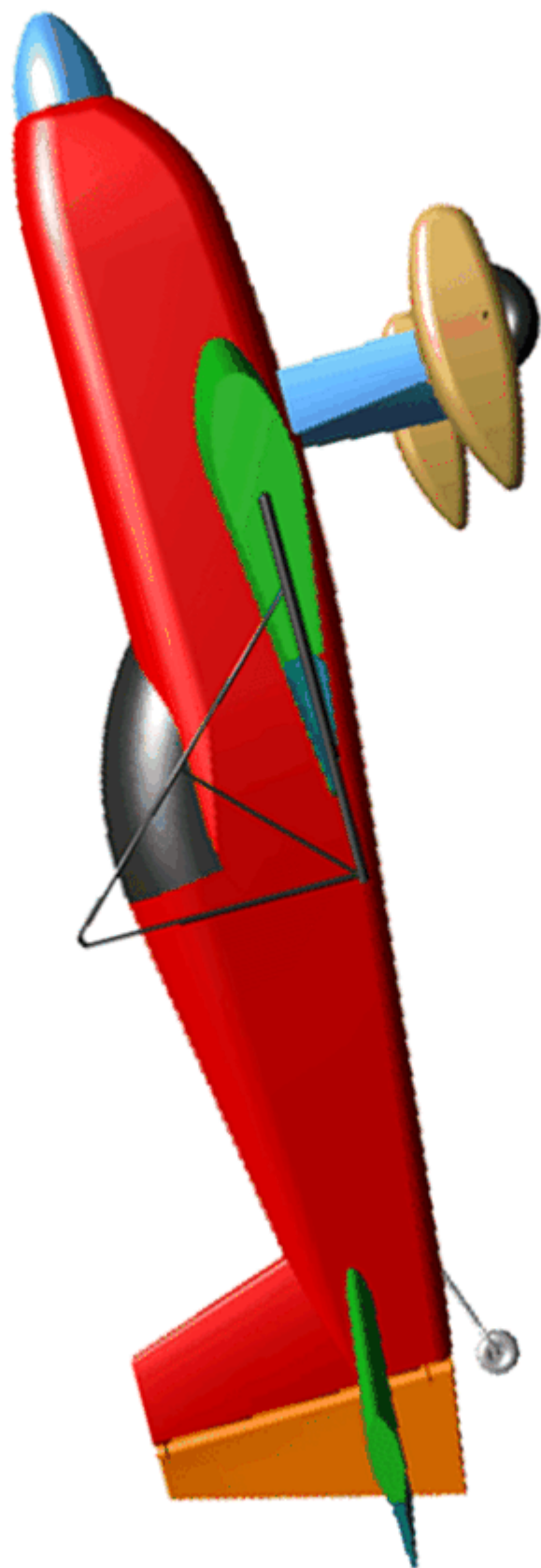
2

**The aeroplane is
expected to fly a**

Vertical up-line

***How many marks
should you deduct?***

2



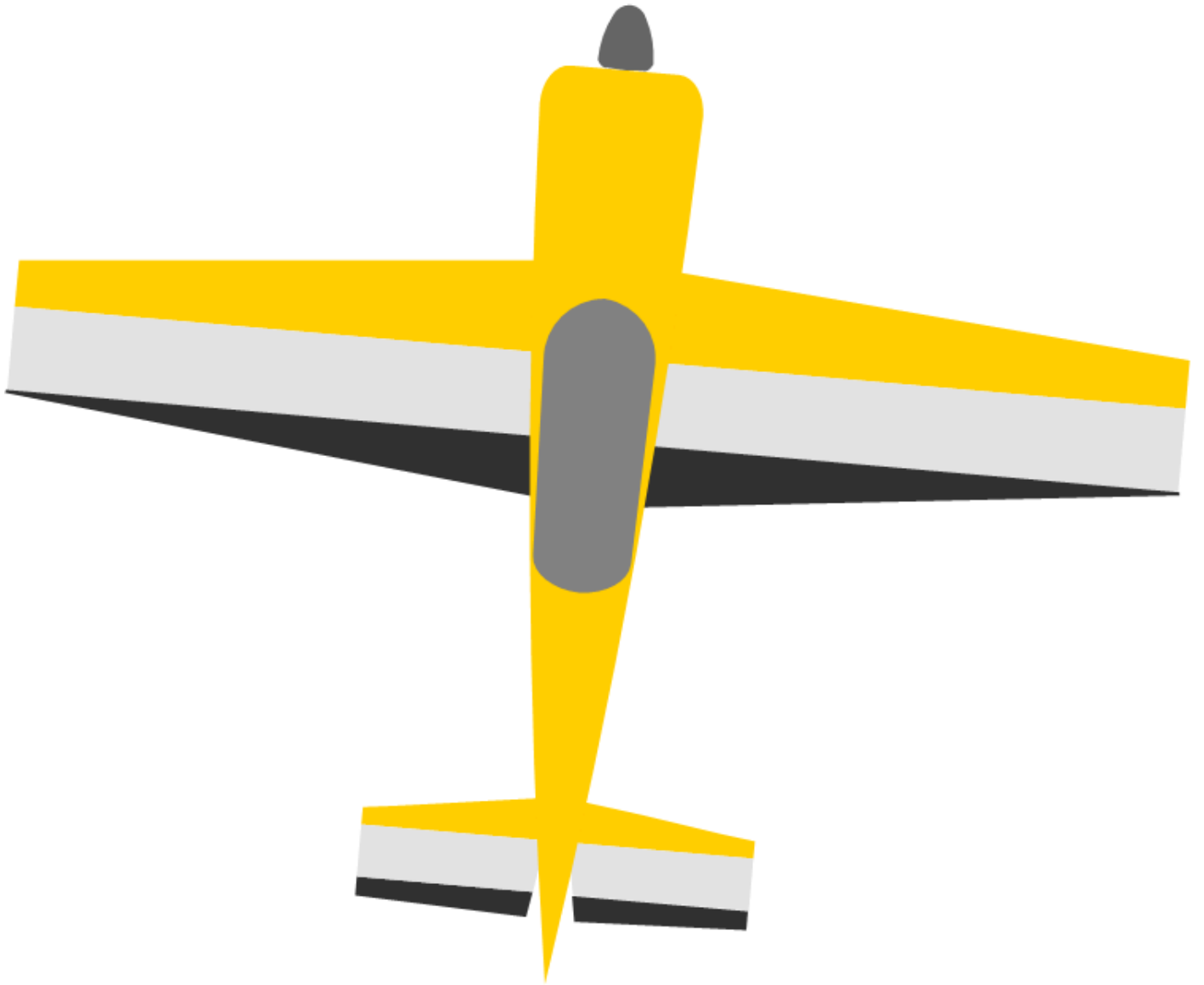
3

**The aeroplane is
expected to fly a**

Vertical up-line

***How many marks
should you deduct?***

3



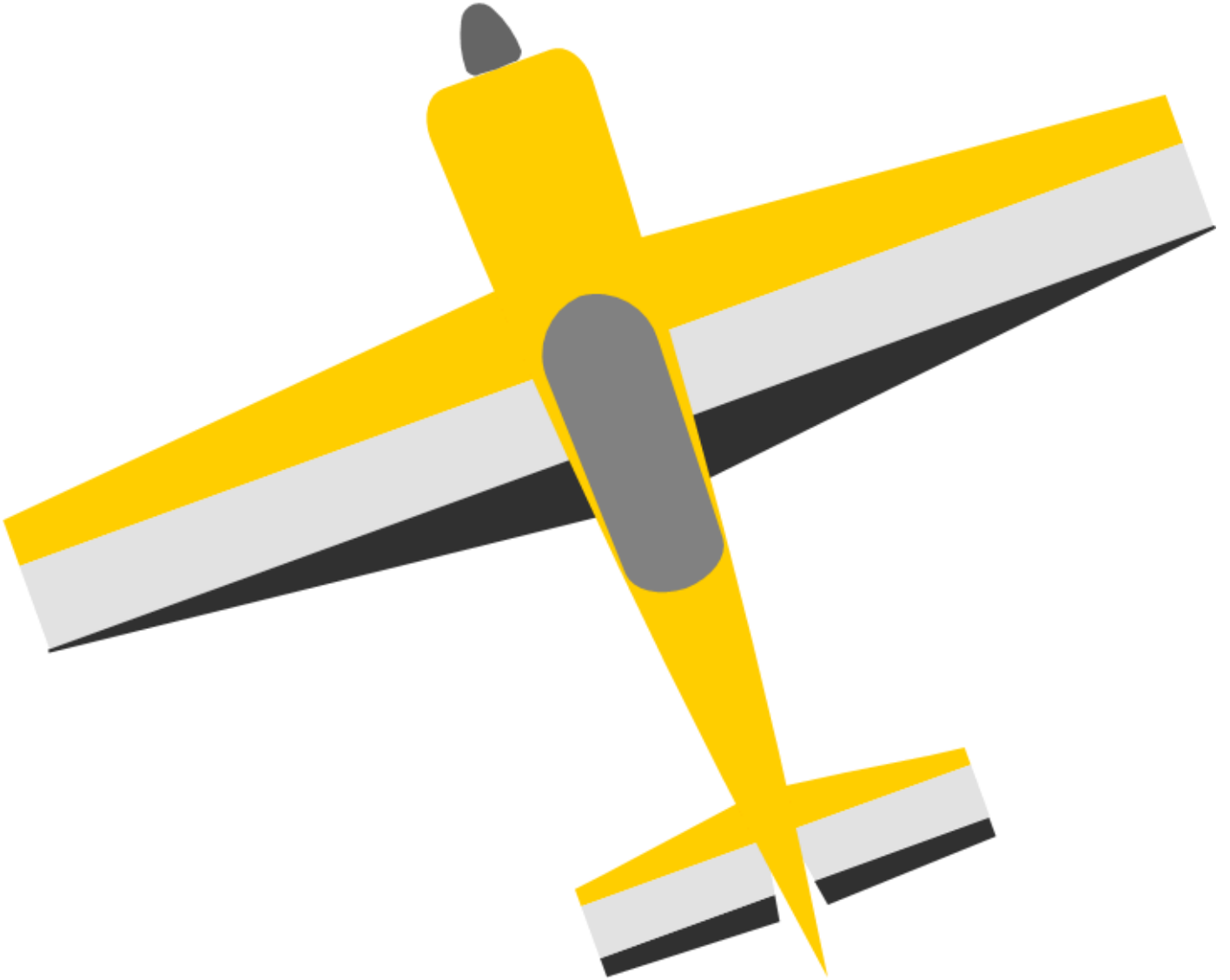
4

**The aeroplane is
expected to fly a**

Vertical up-line

***How many marks
should you deduct?***

4



5

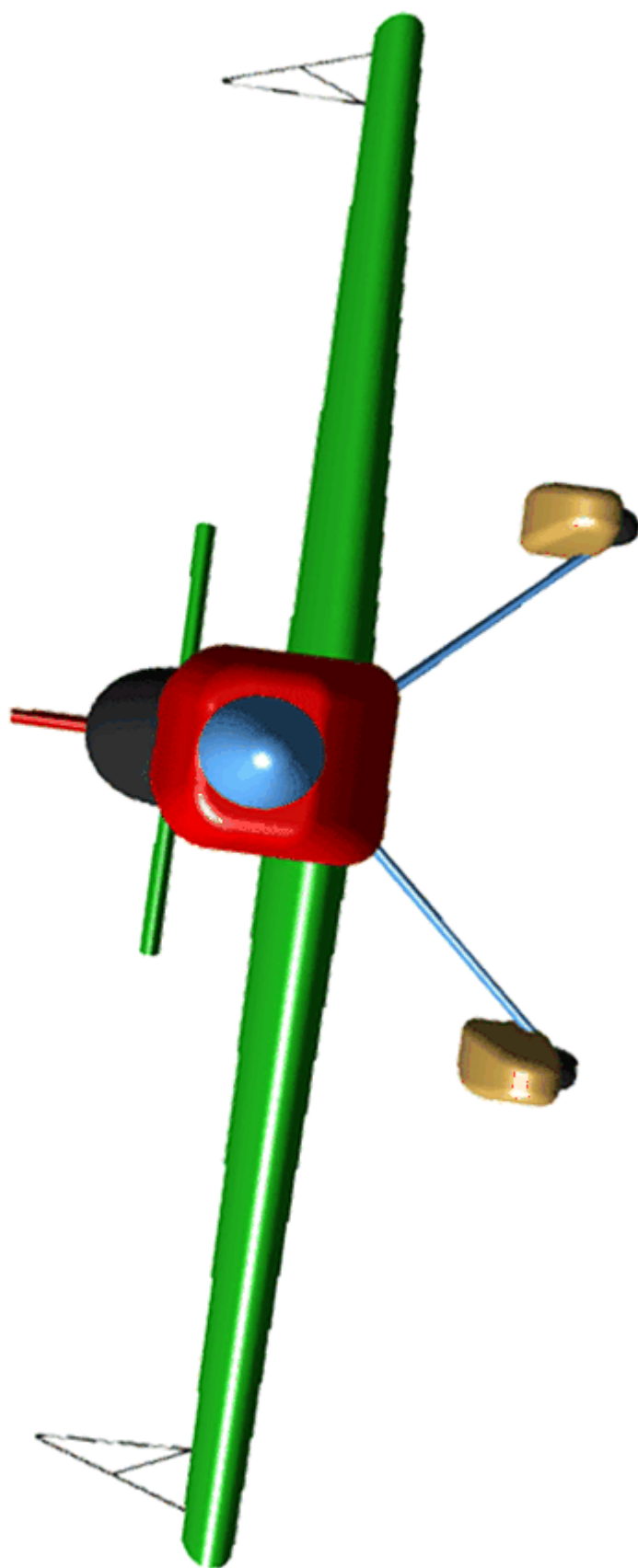
The aeroplane is flying towards you on a

Horizontal line

It is at the 1st hesitation in a 2x4 roll going from upright to inverted

How many marks should you deduct?

5



6

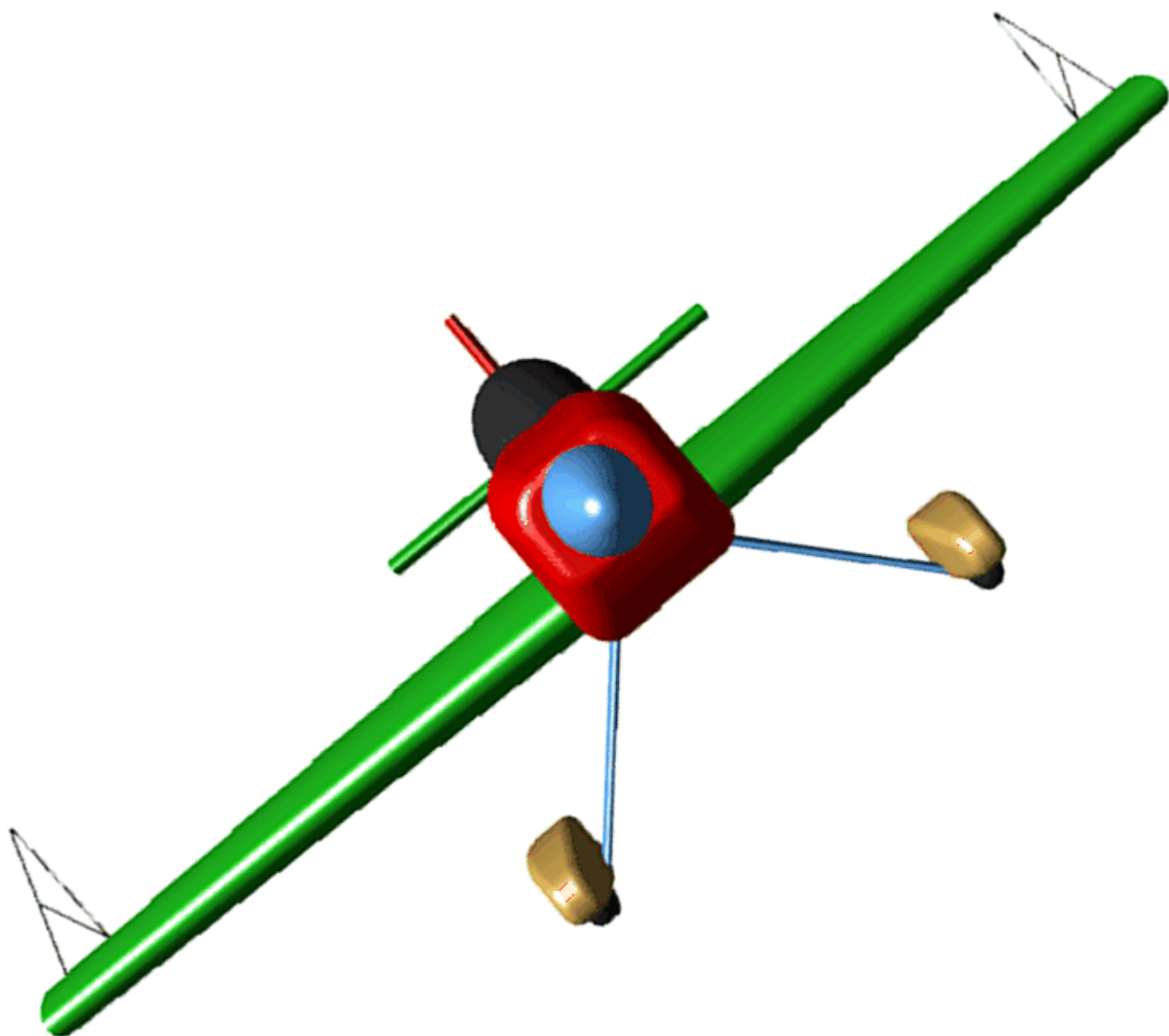
**The aeroplane is
flying towards you on a**

Horizontal line

***It is at the 3rd hesitation
in a 4x8 roll going from
inverted to upright***

***How many marks
should you deduct?***

6



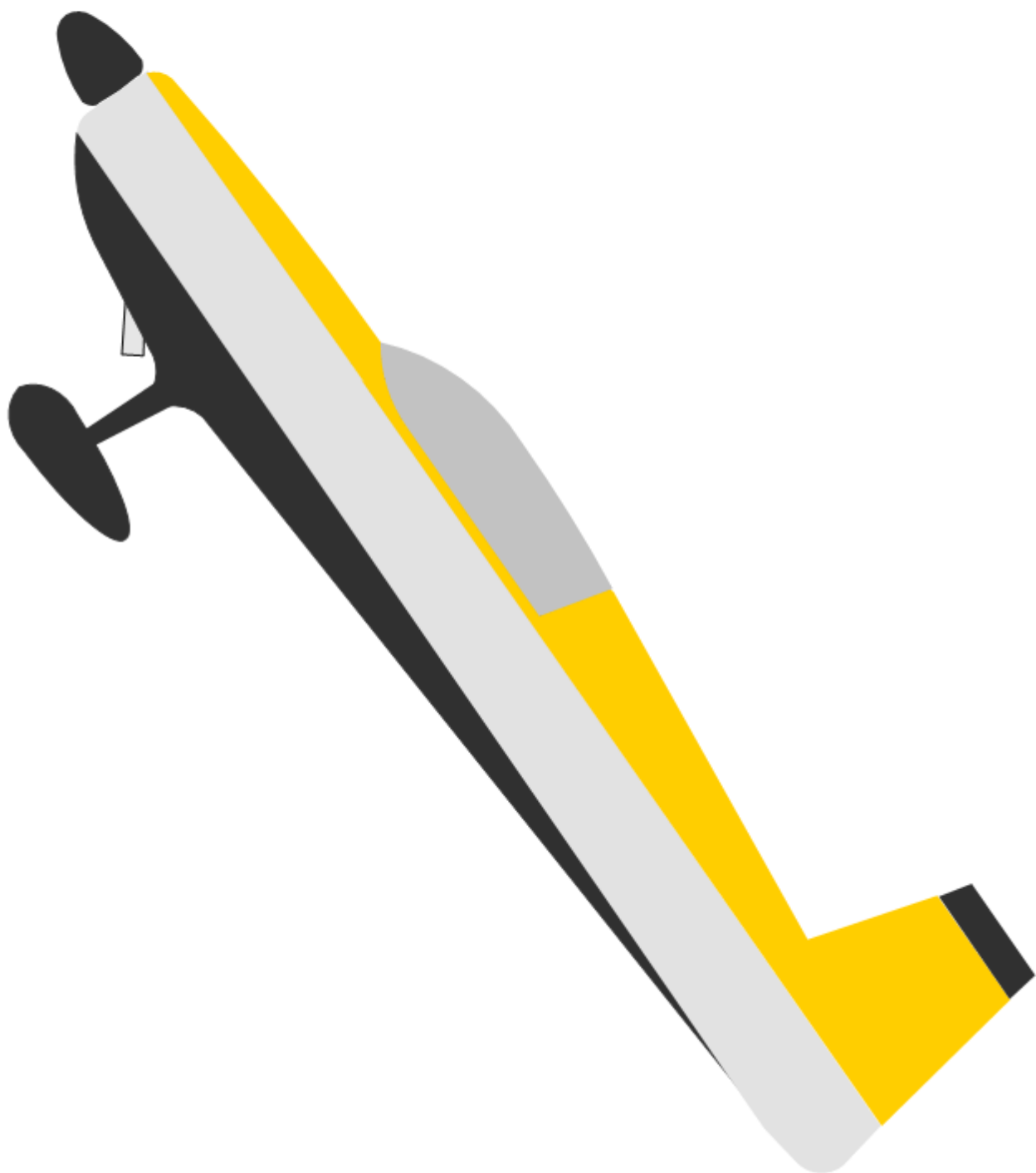
7

**The aeroplane
is flying erect on a**

45° up-line

***How many marks
should you deduct?***

7



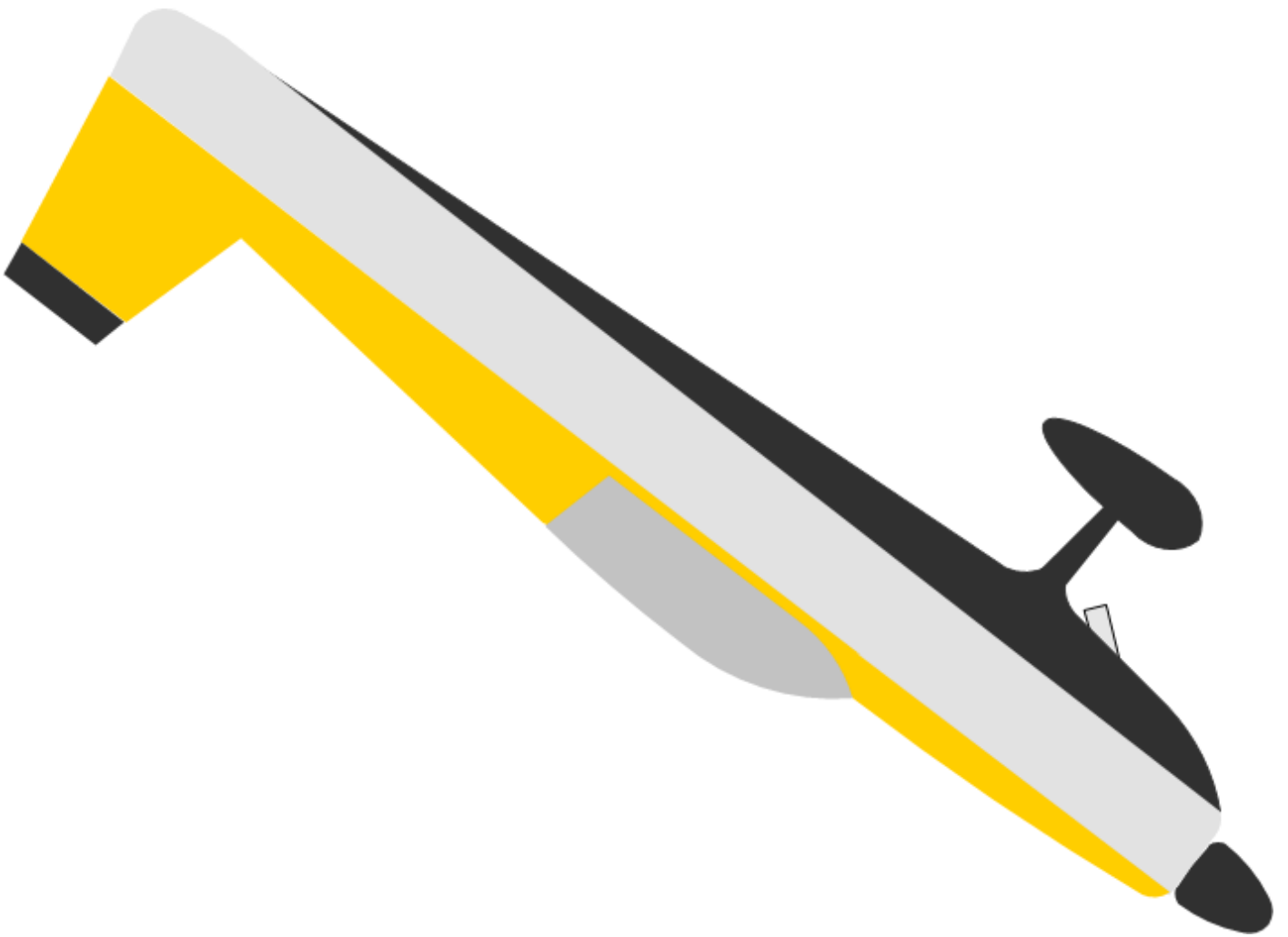
8

**The aeroplane
is flying inverted on a**

45° down-line

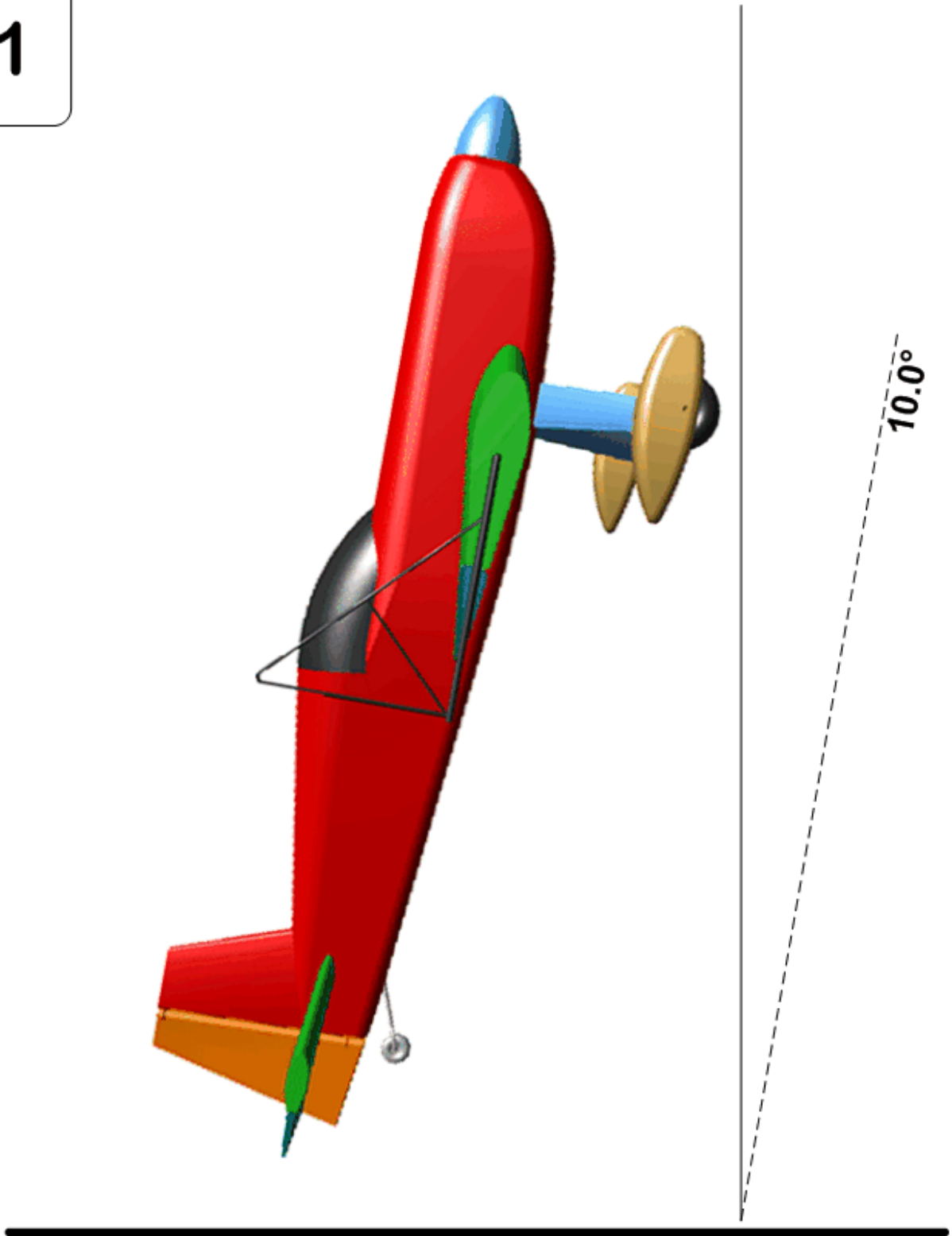
***How many marks
should you deduct?***

8



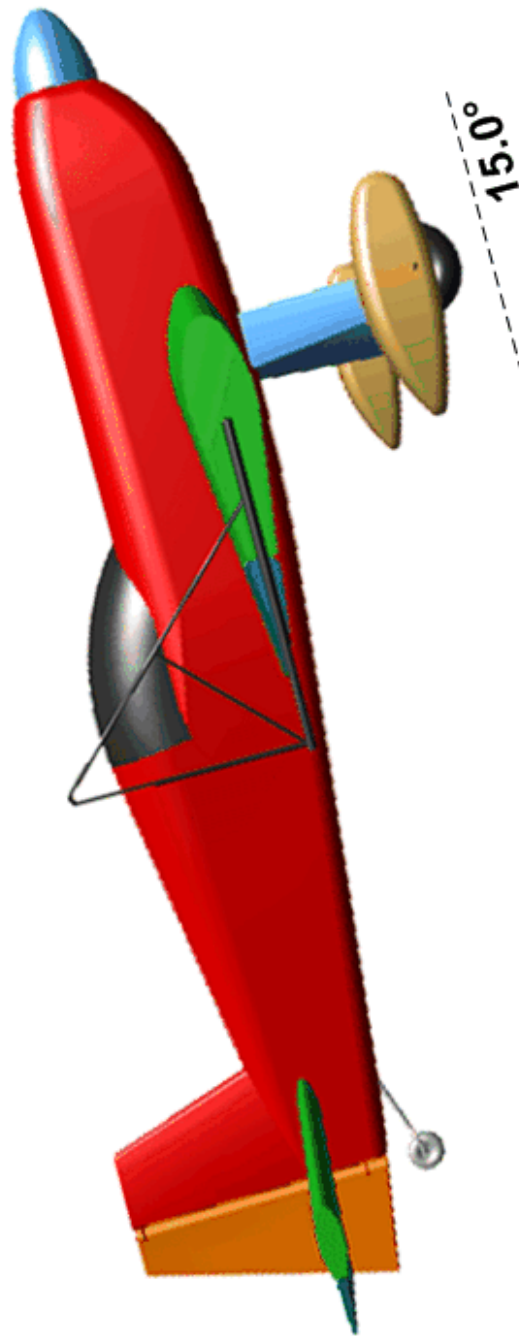
Answers

1



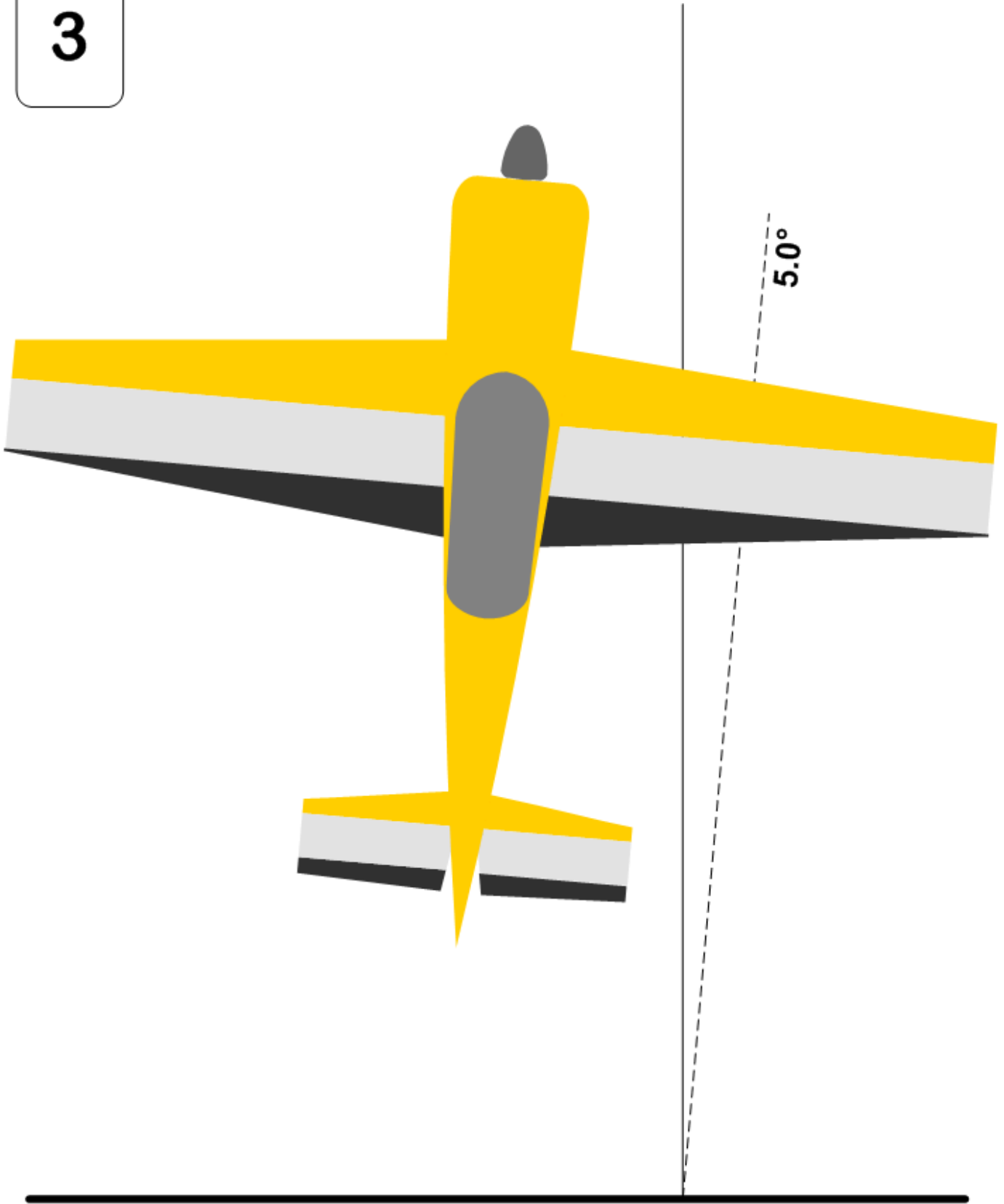
It is 10 degrees positive (-2 marks)

2



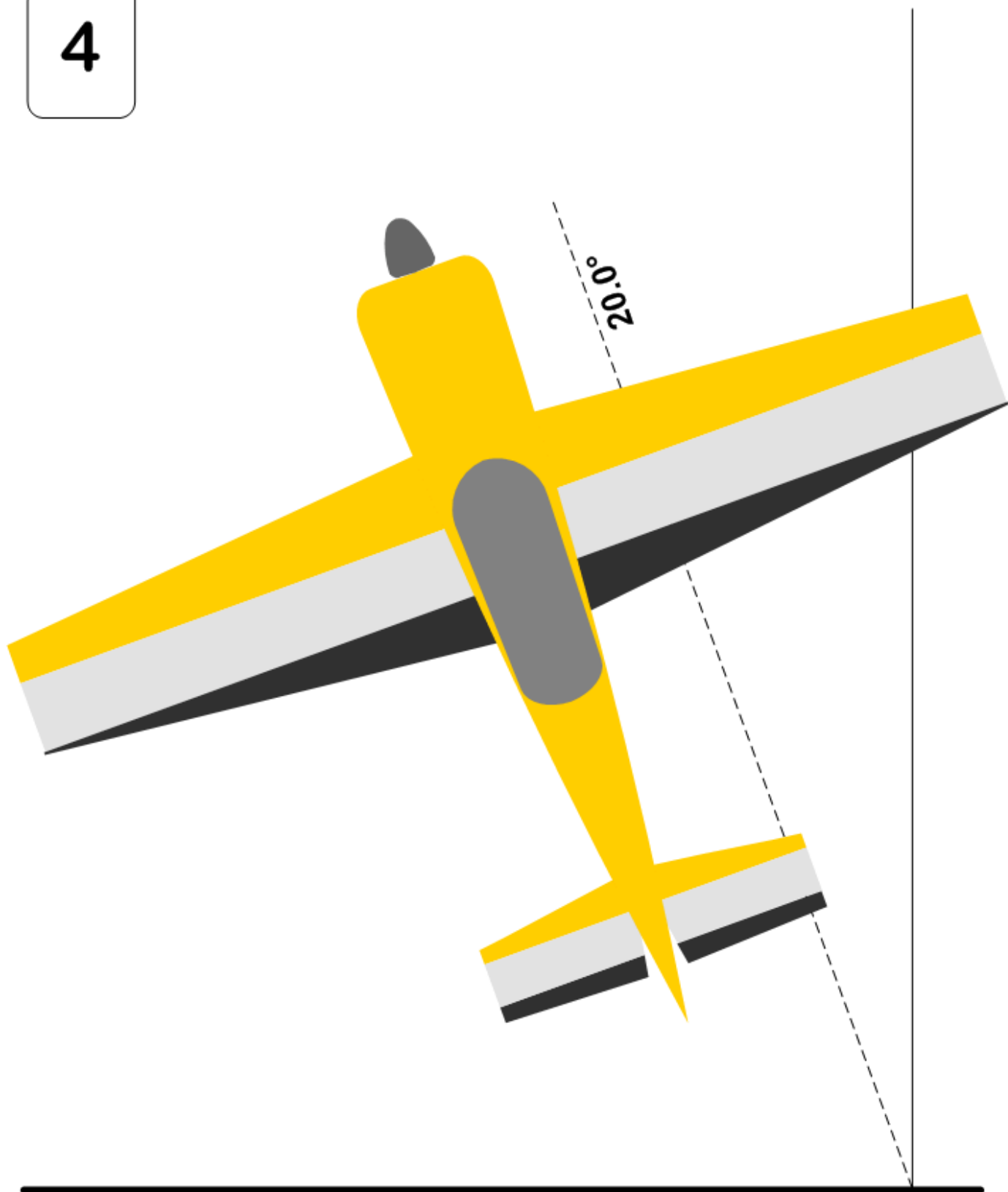
It is 15 degrees negative (-3 marks)

3



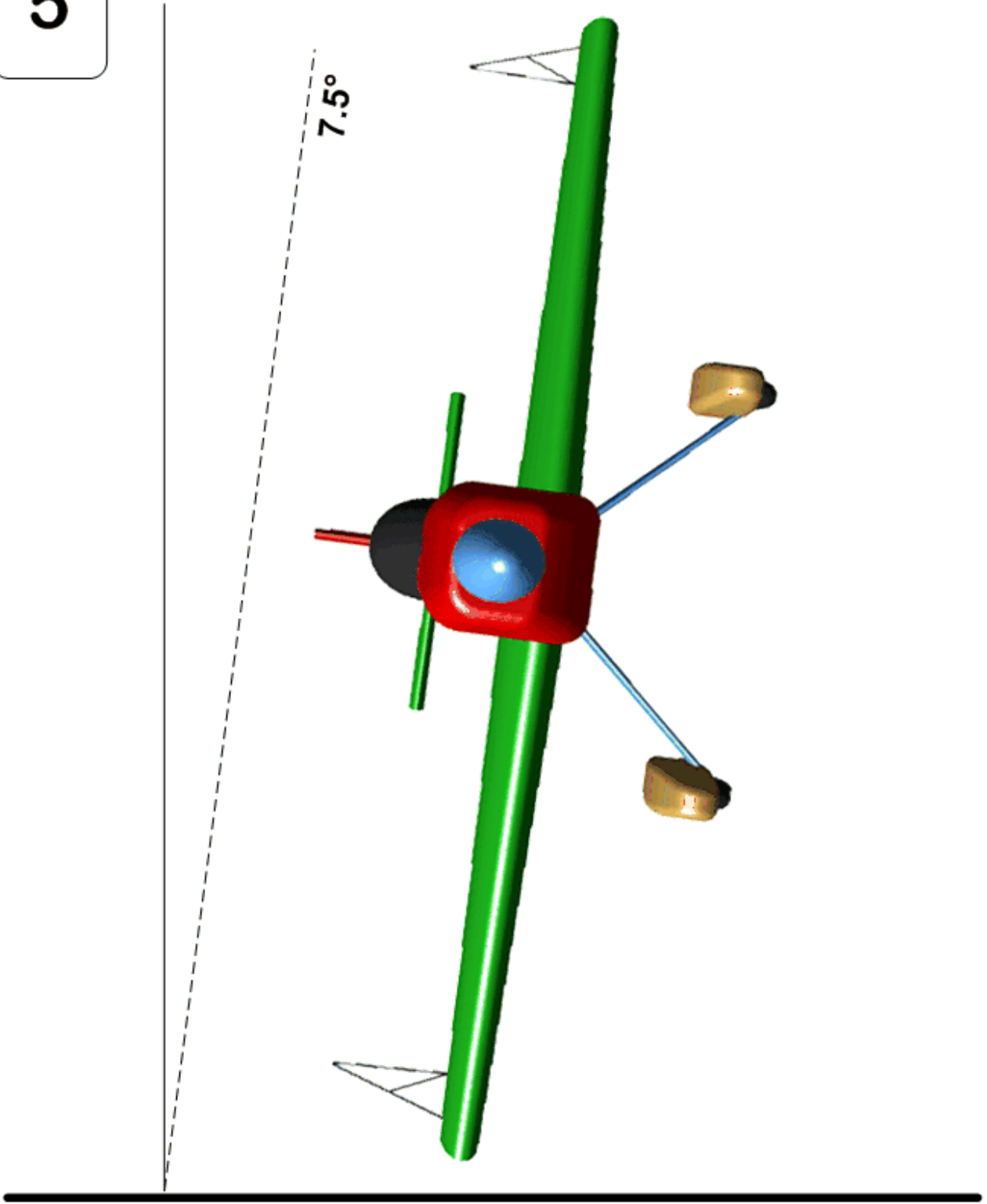
It is 5° Right Wing Down (-1 mark)

4



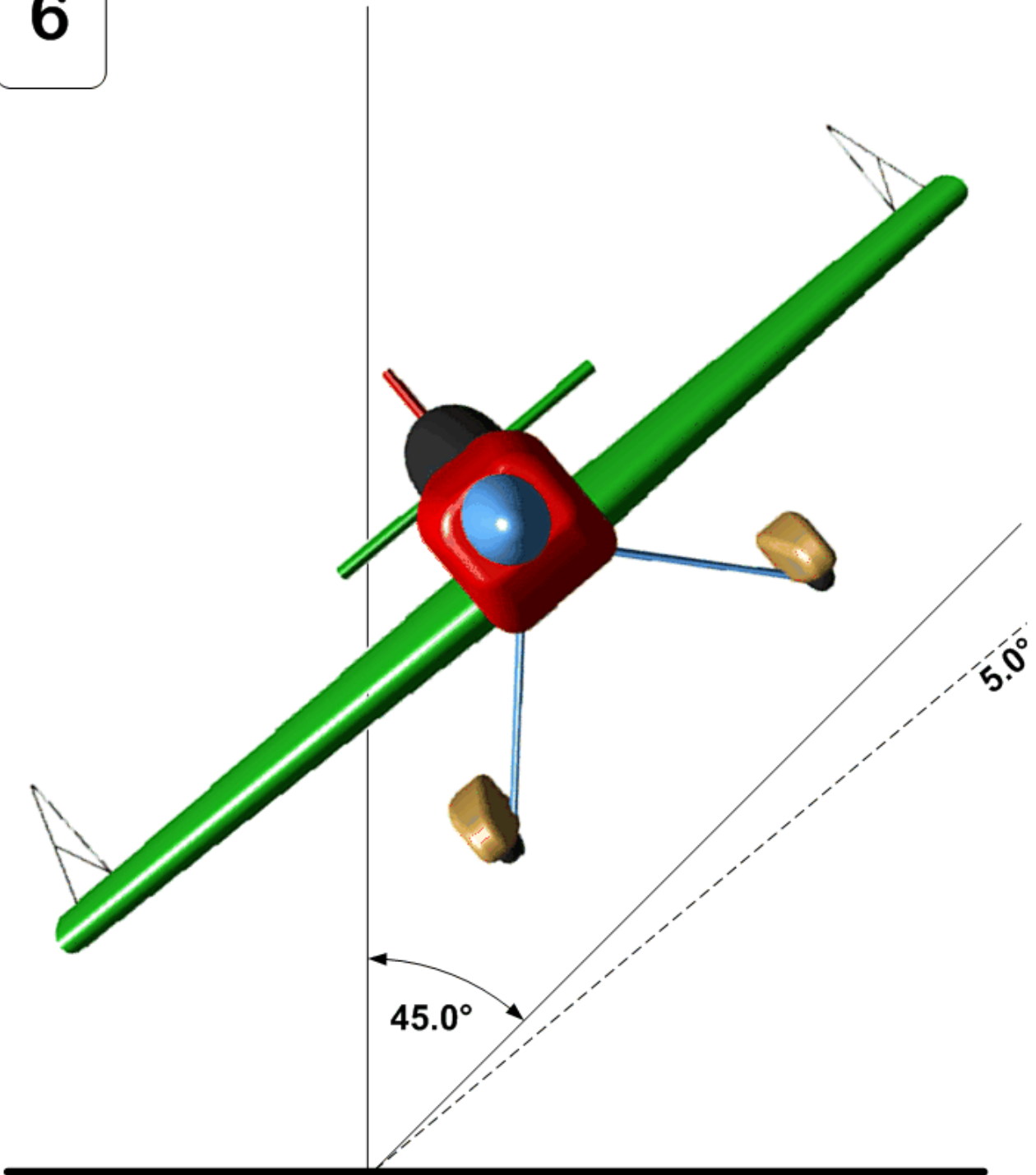
It is 20° Left Wing Down (-4 marks)

5



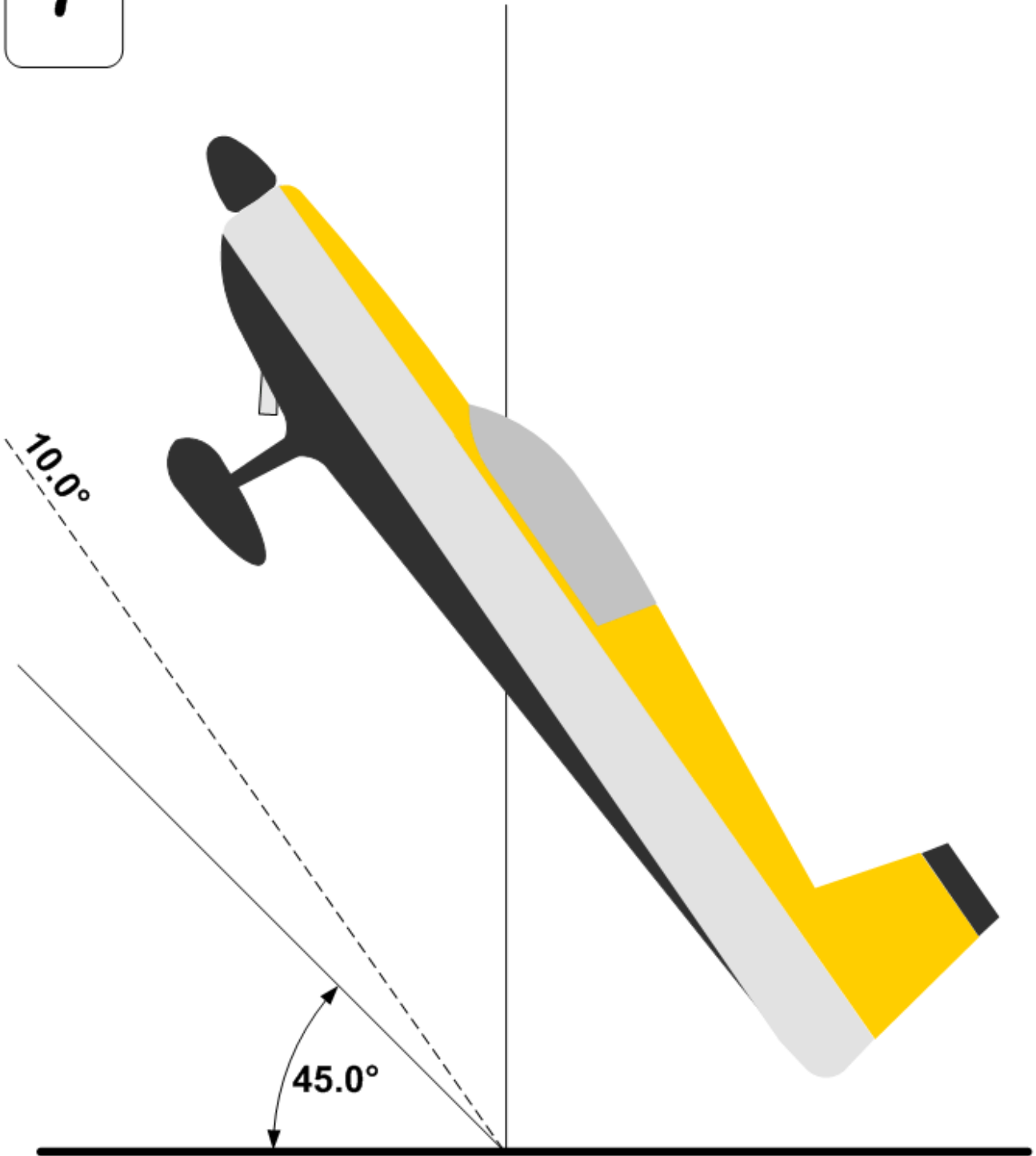
It is 7.5 off Wings Vertical (-1.5 marks)

6



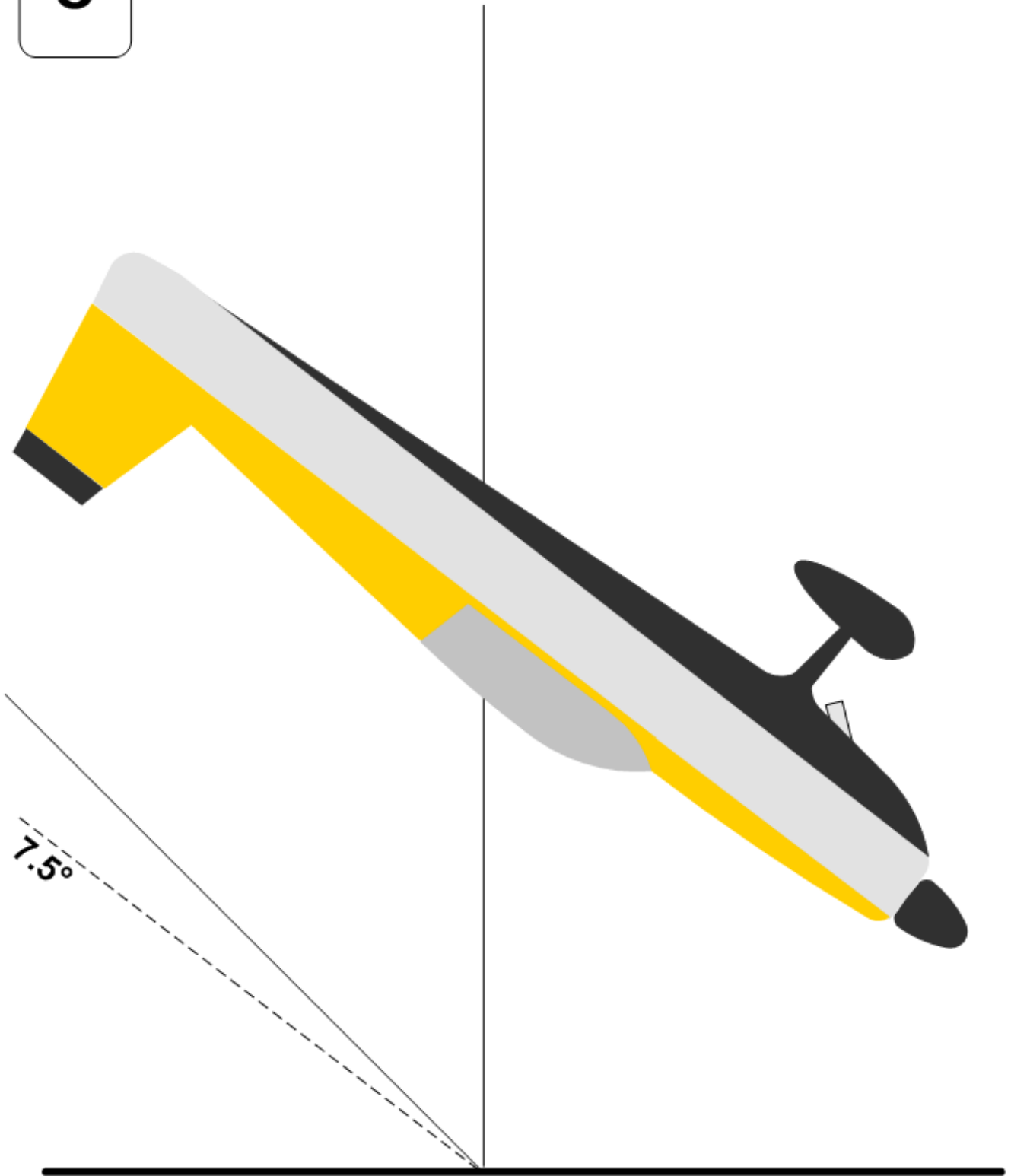
It is 5° less than 45 bank (-1 mark)

7



It is 10° Steep on 45 (-2 marks)

8



It is 7.5° Shallow on 45 (-1.5 marks)

**How many did
you get right?**